

Ledge handles

Aluminium

SPECIFICATION

Aluminium

plastic coated

black, RAL 9005, textured finish **SW**

silver, RAL 9006, textured finish **SR**

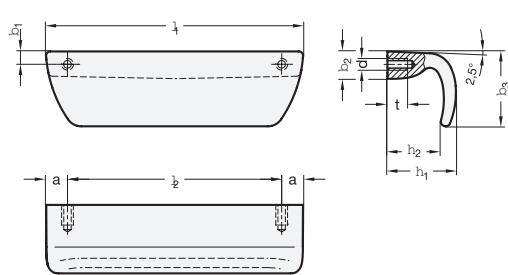
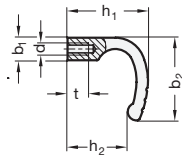
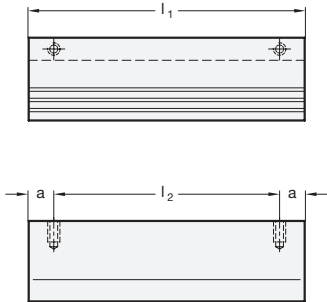
anodized, natural colour **EL**

blank, tumbled **BL**

INFORMATION

A typical field of application is on hinged protective doors on machinery and installations.

Manufactured from aluminum extrusion allows **special lengths** and material sold by the meter to be realised easily.



GN 730

Description	l1 ±0.25	d	a	b1	b2	h1	h2	l2 ±0.2 min.	t	△
GN 730-110-BL	110	M 6	10	9.5	33	32	24	90	9	94
GN 730-110-EL	110	M 6	10	9.5	33	32	24	90	9	98
GN 730-110-SR	110	M 6	10	9.5	33	32	24	90	9	100
GN 730-110-SW	110	M 6	10	9.5	33	32	24	90	9	100
GN 730-125-BL	125	M 6	10	9.5	33	32	24	105	9	105
GN 730-125-EL	125	M 6	10	9.5	33	32	24	105	9	108
GN 730-125-SR	125	M 6	10	9.5	33	32	24	105	9	110
GN 730-125-SW	125	M 6	10	9.5	33	32	24	105	9	110
GN 730-140-BL	140	M 6	10	9.5	33	32	24	120	9	120
GN 730-140-EL	140	M 6	10	9.5	33	32	24	120	9	120
GN 730-140-SR	140	M 6	10	9.5	33	32	24	120	9	125
GN 730-140-SW	140	M 6	10	9.5	33	32	24	120	9	125

GN 730.5

STAINLESS STEEL

Description	l1	d	a	b1	b2	b3	h1	h2	l2	t	△
GN 730.5-A4-120-GS	120	M6	10	6	12.5	35	32	25	100	9	347

SPECIFICATION

Stainless Steel precision casting **A4**

- AISI 316

- matte shot-blasted **GS**

INFORMATION

The GN 730.5 Stainless Steel-Ledge handle is used on doors, guards and hatches on machines, as well as on drawers and pull-out units. Due to the A4 material used, the handle is intended especially for use in corrosive environments with aggressive media.

The ledge handle is made in a way that does not allow pooling of fluids, which makes cleaning easier and prevents build up of residue and bacteria.

It can be attached from the back side via the mounting thread. Alternatively, the handles can be welded from the front.

ON REQUEST

- polished or plastic coated

